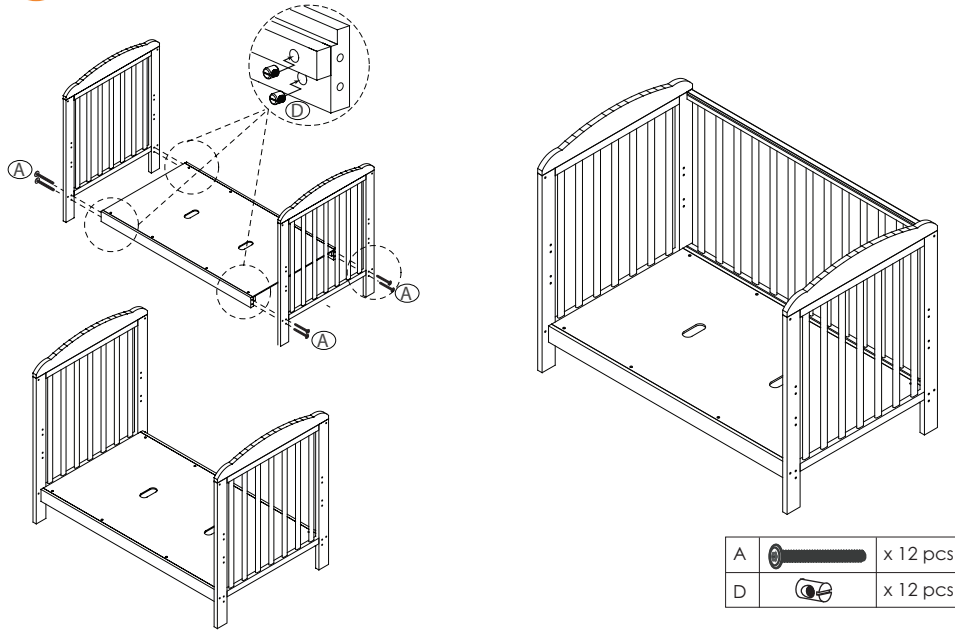
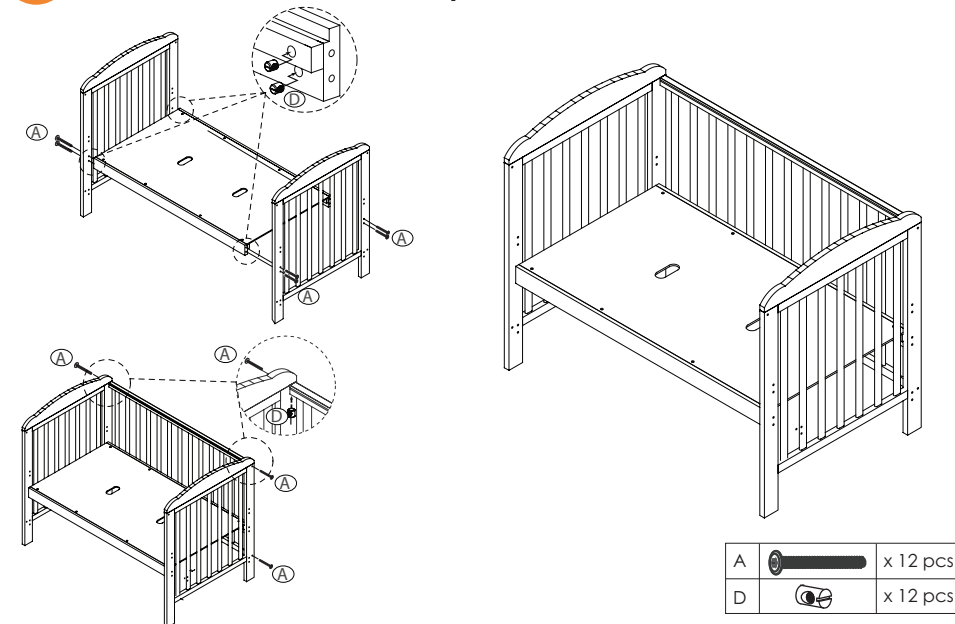


5 Junior bed Assembly



6 Sofa Assembly



**MIX & MATCH 3 IN 1
COT BED INSTRUCTIONS**



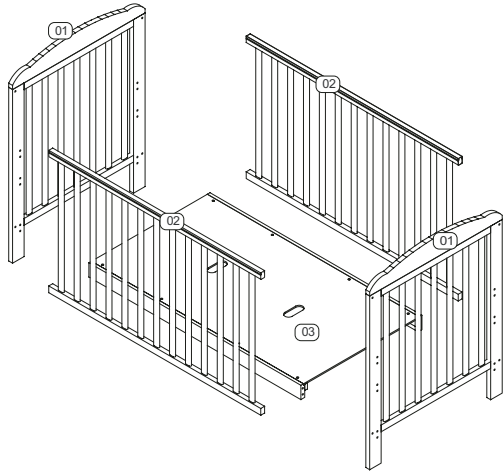
CÔNG TY TNHH MẸ VÌ BÉ




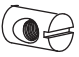


77 Hoa Sữa, Phường 7, Quận Phú Nhuận, Tp. Hồ Chí Minh
08 3517 1200 - 6657 7979 - 0988 579 753 - 0169 690 5112
www.mevbe.com - www.ezmua.com - www.giuongcui.com

[f/mevbe](#) [f/EZmua](#) [f/CuichobeCuitreemCuiembeCui3d](#)

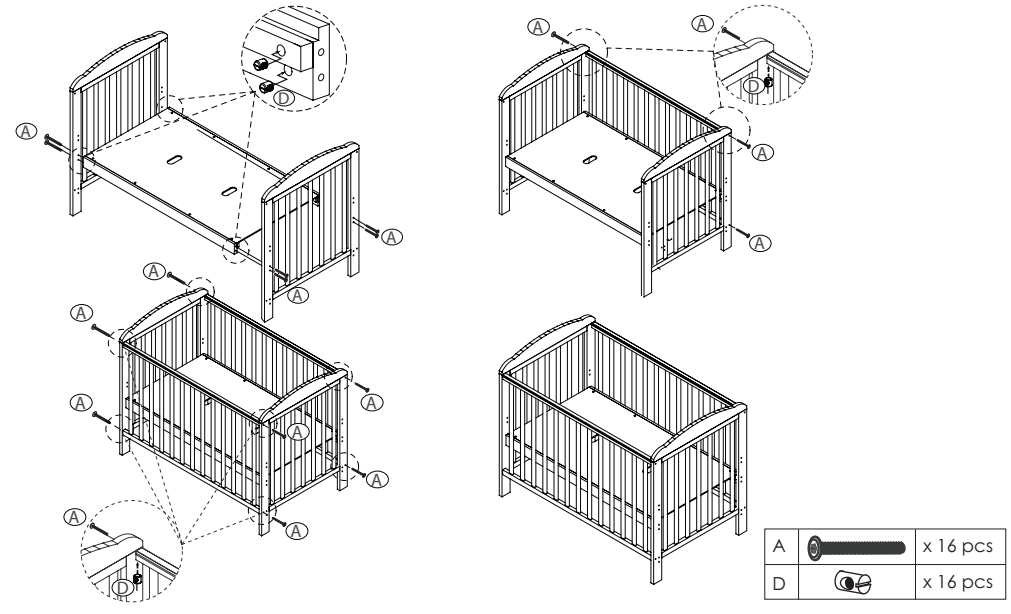
1 Parts list

Please retain all packaging until you are certain no parts are missing. In the case of assembly missing parts or other queries, please contact Me Vi Be Co., Ltd. After assembly, please dispose of all packaging carefully. A medium sized blade screwdriver is required for assembly. The help of an assistant will make assembly easier.

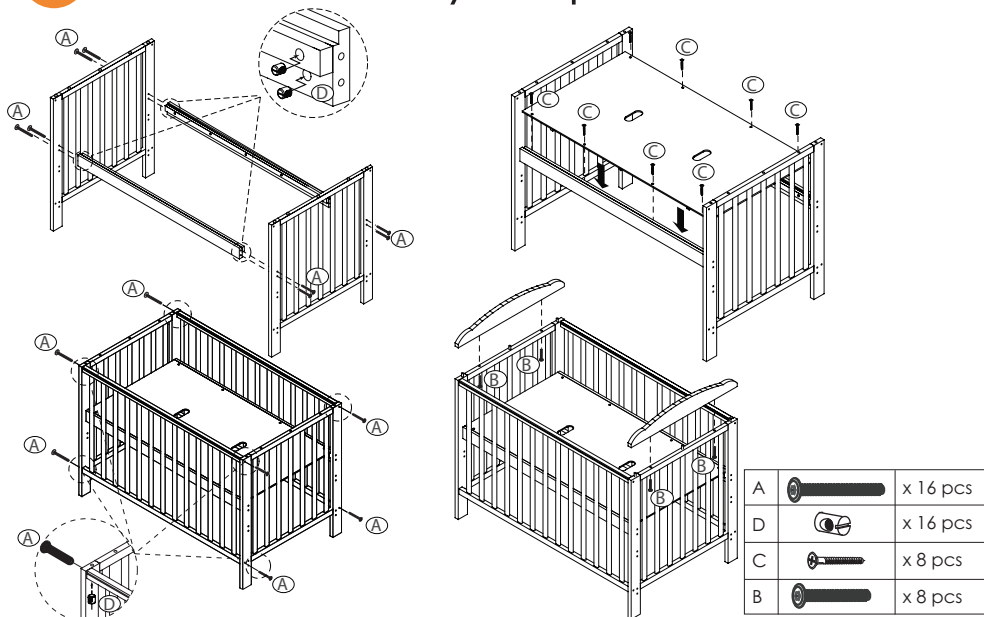


- A  (M6 x 70 mm) x 16
 - B  (M6 x 50 mm) x 4
 - C  (M4 x 15 mm) x 8
 - D  Barrel nuts x 16
 - E  Allen key (4 mm)
- Tools Required**
Medium flat blade screwdriver
- 

3 Cot Assembly Step 2



2 Cot Assembly Step 1



4 Cot Assembly Step 3

