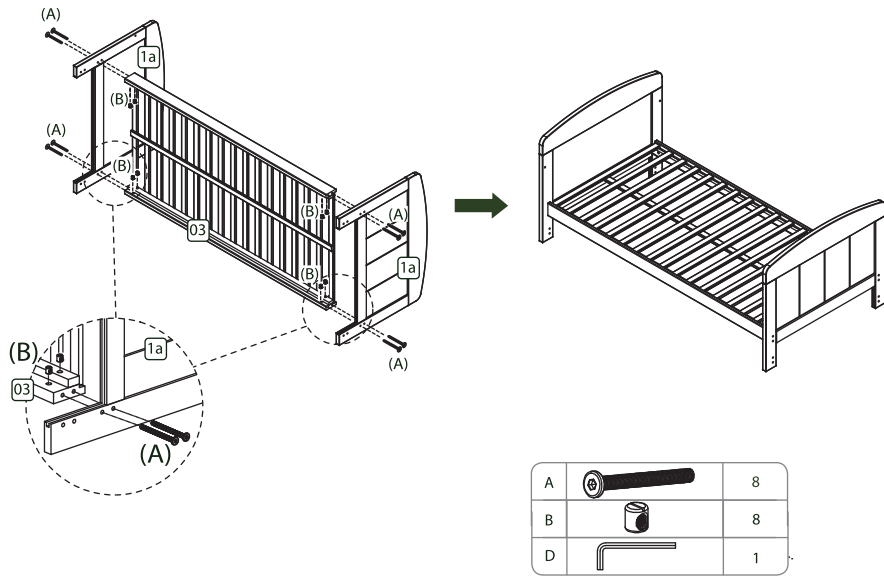
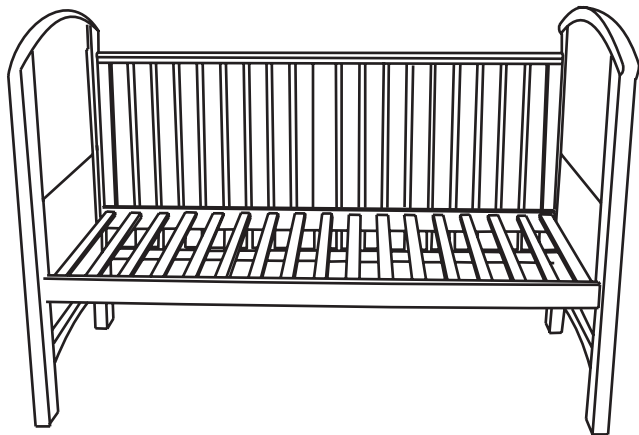


3 Junior bed Assembly



4 Sofa Assembly



LIDO 3 IN 1 COT BED INSTRUCTIONS



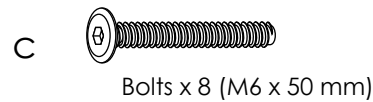
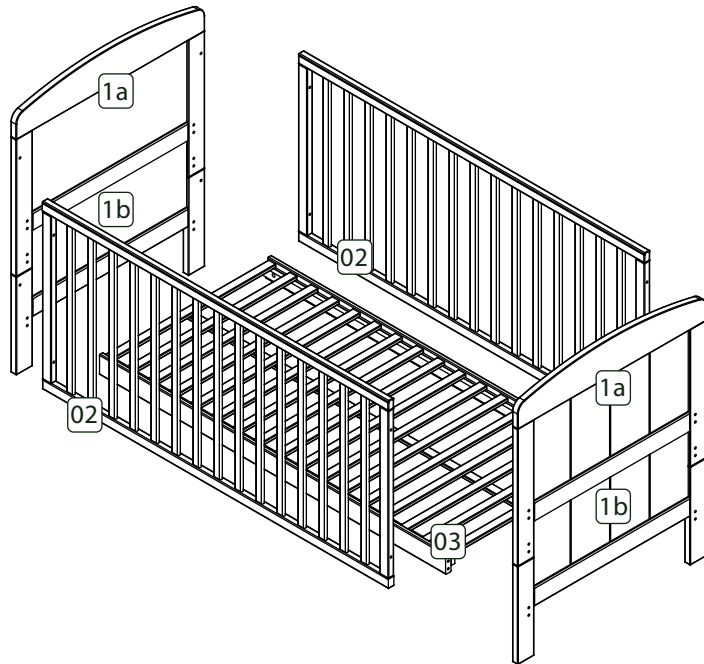
CÔNG TY TNHH MẸ VÌ BÉ

77 Hoa Sữa, Phường 7, Quận Phú Nhuận, Tp. Hồ Chí Minh
08 3517 1200 - 6657 7979 - 0988 579 753 - 0169 690 5112
www.mevbe.com - www.ezmua.com - www.giuongcui.com

/meVbe /EZmua

1 Parts list

Please retain all packaging until you are certain no parts are missing. In the case of assembly missing parts or other queries, please contact Me Vi Be Co., Ltd. After assembly, please dispose of all packaging carefully. A medium sized blade screwdriver is required for assembly.

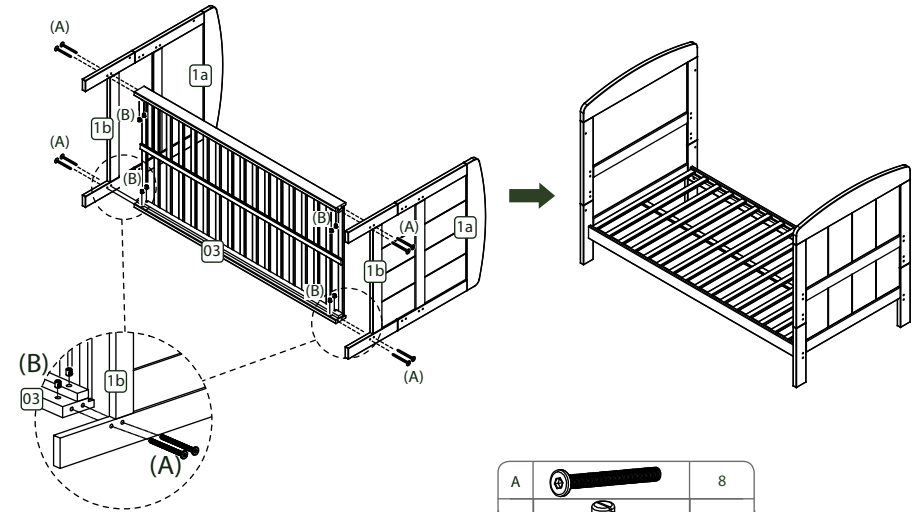


Tools Required

Medium flat blade screwdriver

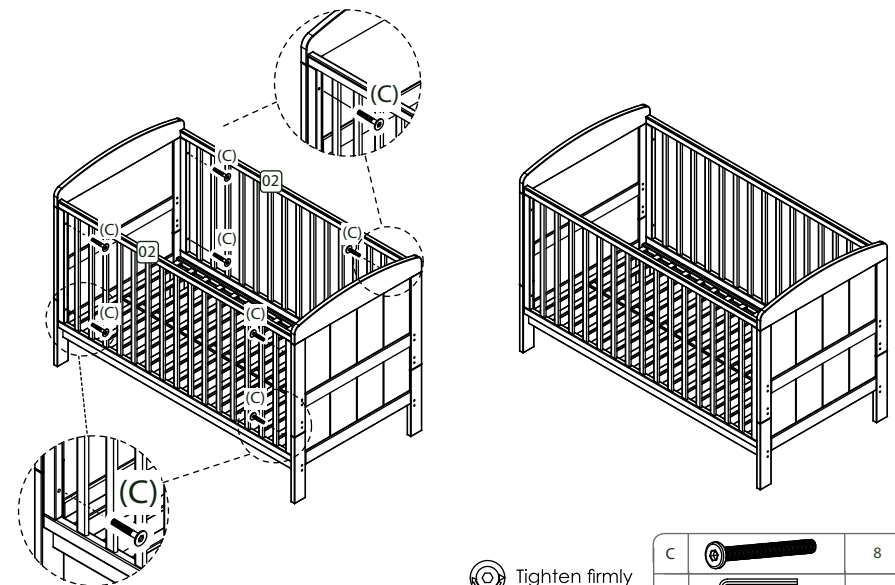


2 Cot Assembly Step 1



A		8
B		8
D		1

3 Cot Assembly Step 2



⊙ Tighten firmly

C		8
D		1